

RELAY VIEWED FROM REAR

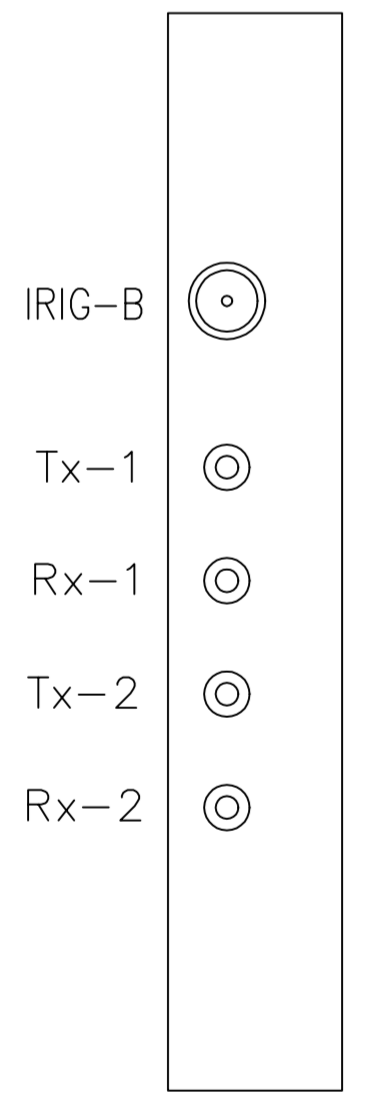
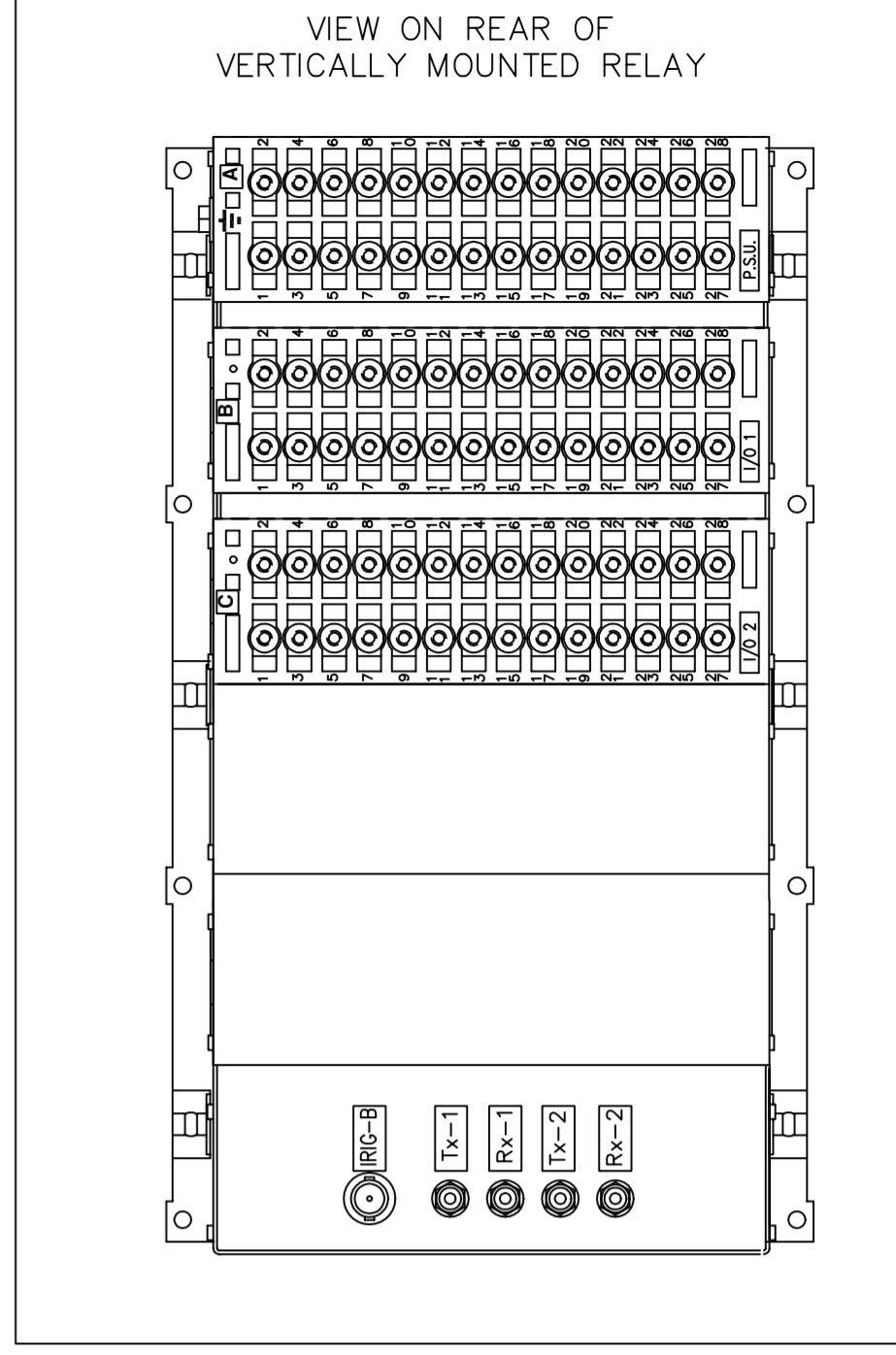
NOTES

1 TERMINALS RECOMMENDED ARE PRE INSULATED & MUST BE CRIMPED USING APPROVED TOOLING. AMP PIDG OR PLASTI GRIP FUNNEL ENTRY (RING TONGUE) FOR M4 FIXING STUD.

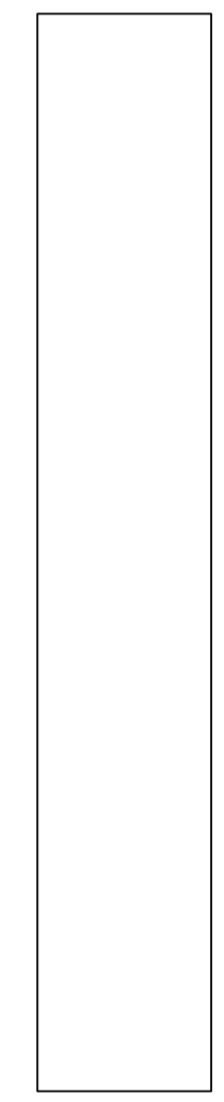
SUPPLIER	AMP	CABLE SIZE
AMP	342103	0.25-1.6 SQ MM
AMP	342143	1.0-2.6 SQ MM.

OR ANY OTHER MANUFACTURERS EQUIVALENT TERMINAL.

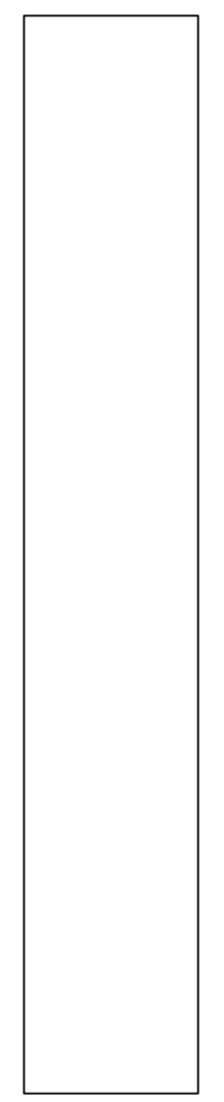
2 FOR OUTLINE & DRILLING DRG SEE 2995X10012 (A4).
 3 IRIG-B & FIBRE OPTIC CONNECTORS MUST BE DISCONNECTED & FIXING NUTS REMOVED BEFORE WITHDRAWING CONTROLLER MODULE.



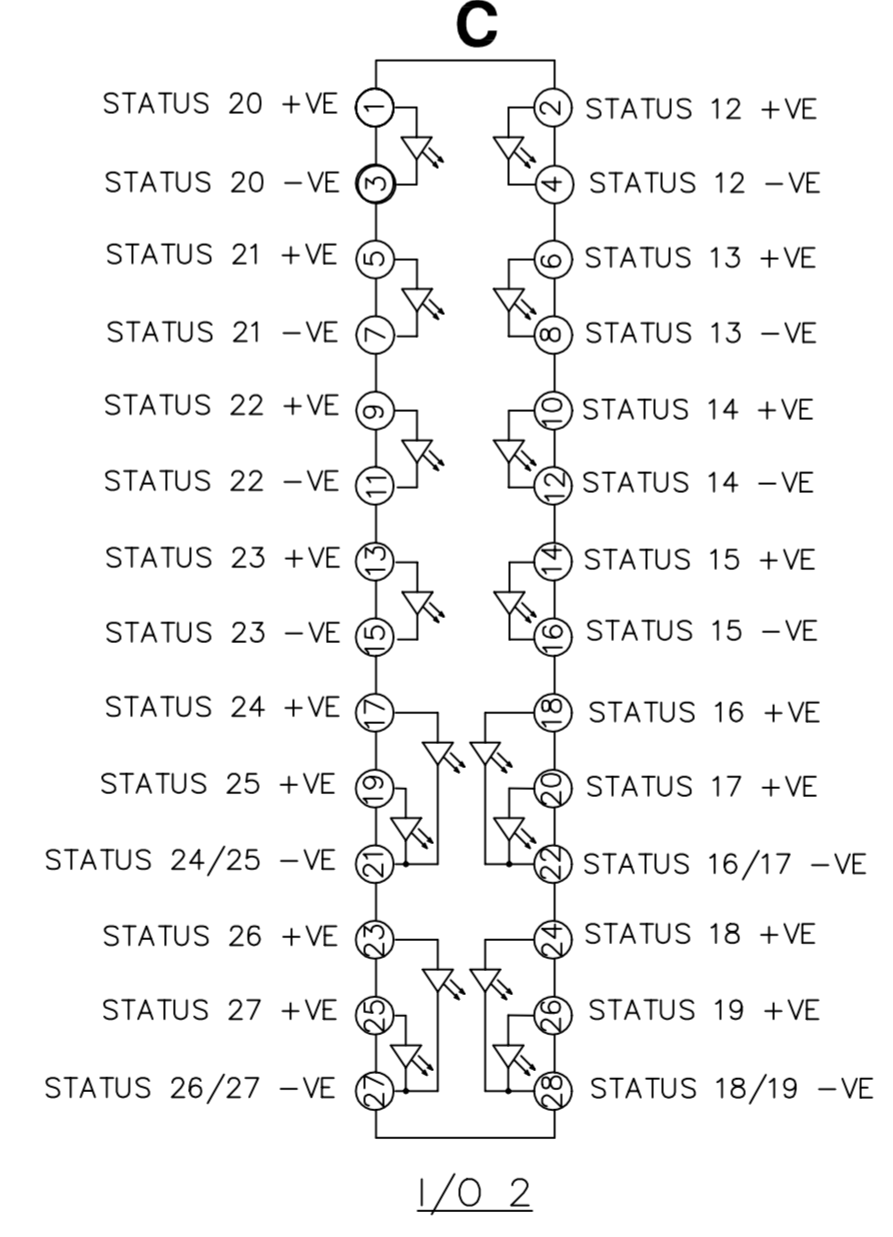
Controller Module
(SEE NOTE 3)



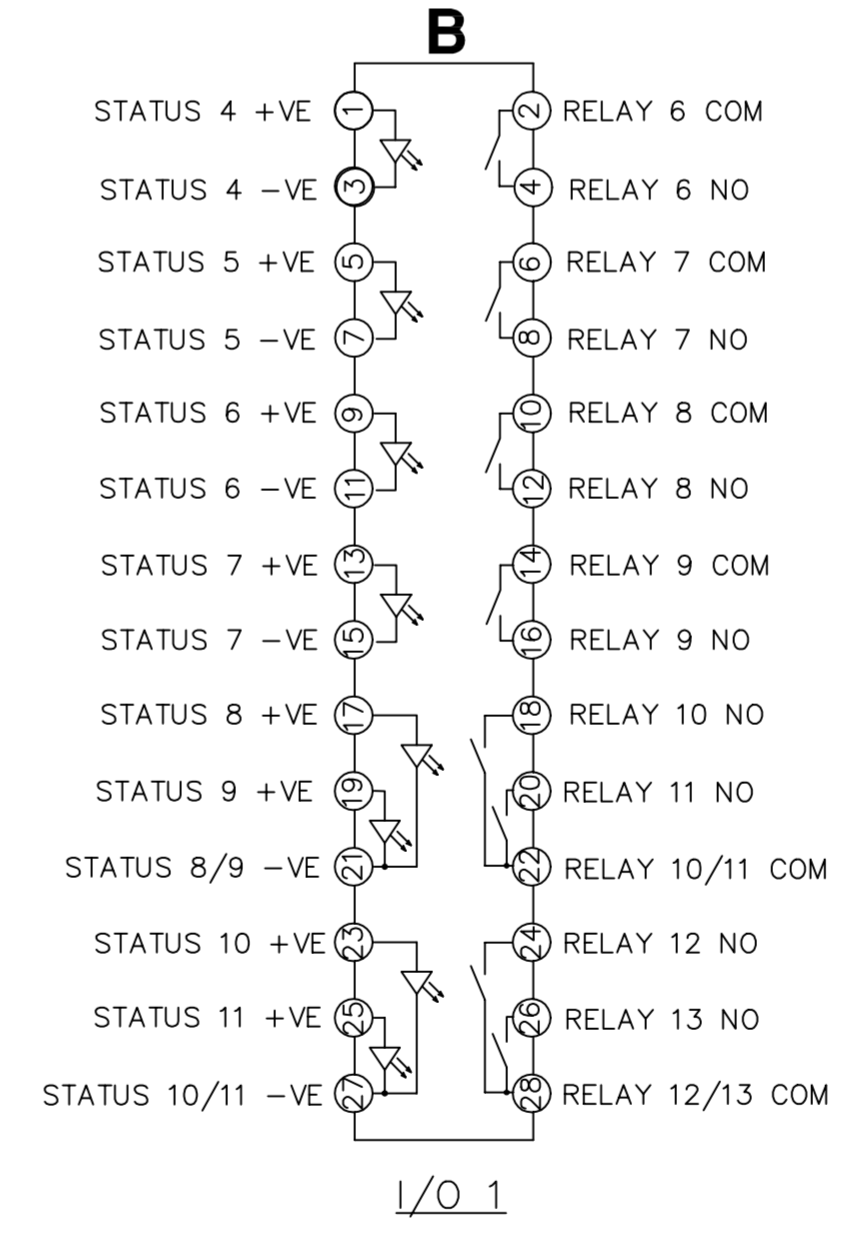
No Module Fitted



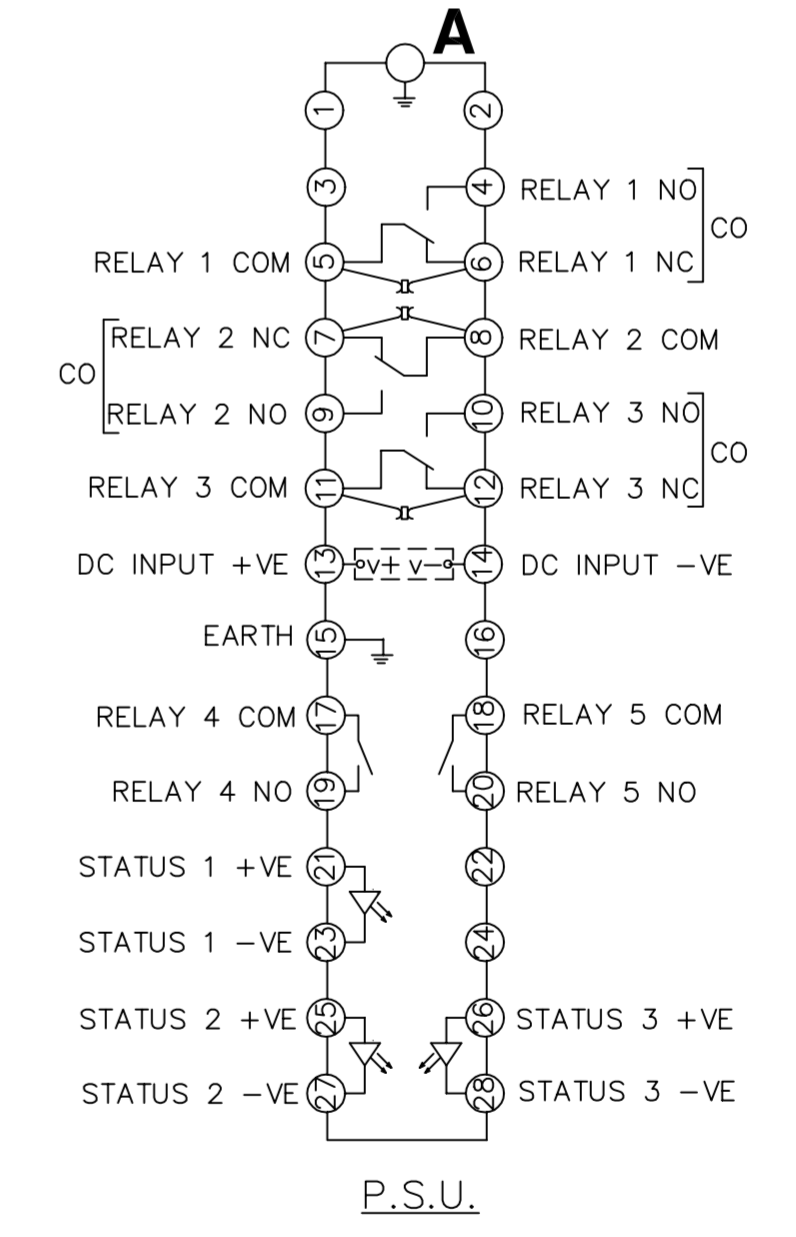
No Module Fitted



I/O 2



I/O 1



P.S.U.

MODULE LABEL KEY	
ANALOGUE MODULE	AN 1 etc
INPUT/OUTPUT MODULE	I/O 1 etc
P.S.U. & BASIC I/O MODULE	P.S.U.

ABBREVIATIONS	
CT	CURRENT INPUTS
VT	VOLTAGE INPUTS
SI	STATUS INPUTS
CO	CHANGE OVER OUTPUT CONTACTS
NO	NORMALLY OPEN OUTPUT CONTACTS
NC	NORMALLY CLOSED OUTPUT CONTACTS

MATERIAL:

Dimensions in millimetres : Surface texture in micrometres.
 Machine where marked ✓
 For explanation of dimensions, tolerances, notes etc. see B.S.308.
 Limit on untiloleranced unmachined dimensions ±
 Limits on untiloleranced machined dimensions to B.S.4500;
 i.e. up to 6±0.1; over 30 to 120±0.3; over 315±0.8;
 over 6 to 30±0.2; over 120 to 315±0.5;
 General unmachined angular tolerance ±

Finish:
 Treatment:

Title:
 TERMINAL I.D. & WIRING FOR IOTA 200 SERIES RELAY
 (27SI,3CO,10NO) E12 CASE.
VATECH REYROLLE
AUTOMATION, CONTROL & PROTECTION

Original Scale:
 NTS

Copyright © 2004 VATECH REYROLLE ACP Ltd. Hebburn
 First used on:
 Similar Articles:
 Supersedes:
 Drg. No. **2761W11016**

**NOT SUBJECT TO UPDATE
 ONCE COPIED / PRINTED
 OR DOWNLOADED**